



CHADDOCK

FURNITURE WORKROOM

STUDIO Z CUSTOM
BEDS & HEADBOARDS

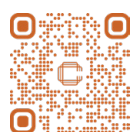


E
S
EASYSCALE

Beautifully designed. *Impeccably crafted.*

U
S
USMADE

Chaddock Studio Z makes crafting designer headboards and beds simple. Starting with one of our stylish designs, you can customize the scale with one of our pre-engineered sizes, choose your base option and dress in your choice of fabric or leather for a bed or headboard that's all your own.



Scan the QR code for the full collection at chaddock.com

Interested in even more customization?

Contact our workroom or schedule an appointment with your sales rep. We're here to bring your ideas to life.

1 Choose your size & headboard height.

- Twin, Full, Queen, King, California King
- Tall (54" h) or Extra Tall (60" h)

2 Choose your design.

- Bed (headboard + rails) or headboard only



NOAH Bed 1801-11
Headboard 1801-12
(fully upholstered base only)



MILES Bed 1802-11
Headboard 1802-12
(tapered leg only)



DRAKE Bed 1803-11
Headboard 1803-12
(tapered leg only)



LILY Bed 1804-11
Headboard 1804-12
(tapered leg only)



AIDEN Bed 21219-11
Headboard 21219-12
(tapered leg only)



LAINEY Bed 23101-11
Headboard 23101-12
(tapered leg only)



PAIGE Bed 23102-11
Headboard 23102-12
(tapered leg only)

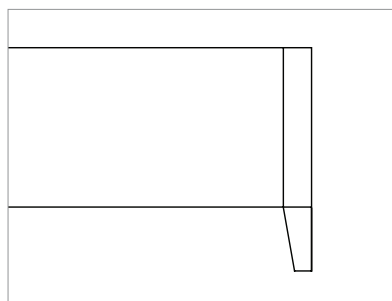


WHITLEY Bed 23104-11
Headboard 23104-12
(tapered leg only)

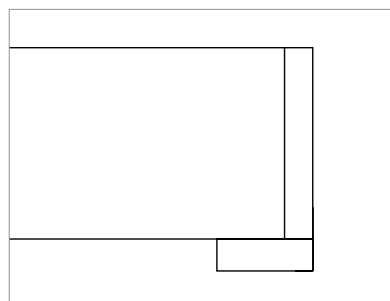


PORTER Bed 23106-11
Headboard 23106-12
(tapered leg only)

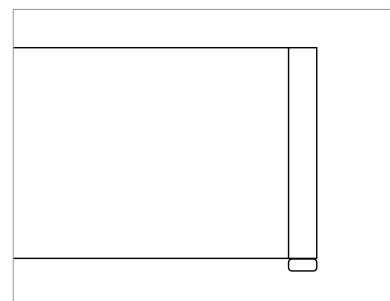
3 Choose your leg or base style.



Tapered Leg with upholstered rails
SZ1



Block Leg with upholstered rails
SZ2



Fully Upholstered Base
SZ3

- Standard Base (wooden slats)
 - Upholstered Platform (shown below)
- +
-
- PL (available on all base styles, upcharges apply)

4 Choose your fabric & finish.

Choose from hundreds of Chaddock fabrics, leathers, and vinyls or COM (customer's own material).

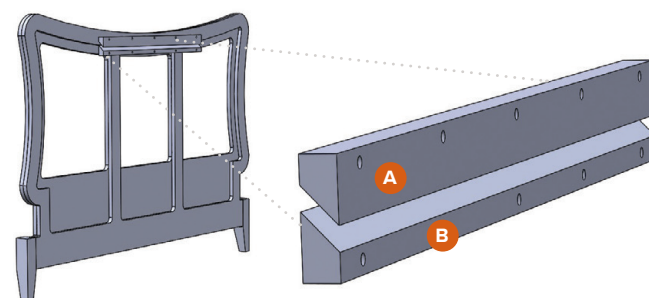
On exposed wood styles, choose from over 70 artisanal finishes in your choice of sheen level and distressing.

SHEEN LEVELS
Low • Medium • High

DISTRESSING LEVELS
Minimal chain • Light distress
Medium distress • Heavy distress

Chaddock Studio Z Headboard Mount

A specially engineered innovative wall mount, standard with every Chaddock Studio Z headboard, makes your new headboard easy to securely install.



- A** attaches to the headboard.
- B** attaches to the wall.
- A** slides into **B** to secure headboard in place.

TAKE IT TO THE NEXT LEVEL

Do you have additional design ideas? Envisioning nailhead trim, welts, combination fabrics? Additional changes in dimension? Let's talk. Unique custom orders are a Chaddock specialty. We're here to bring your ideas to life.